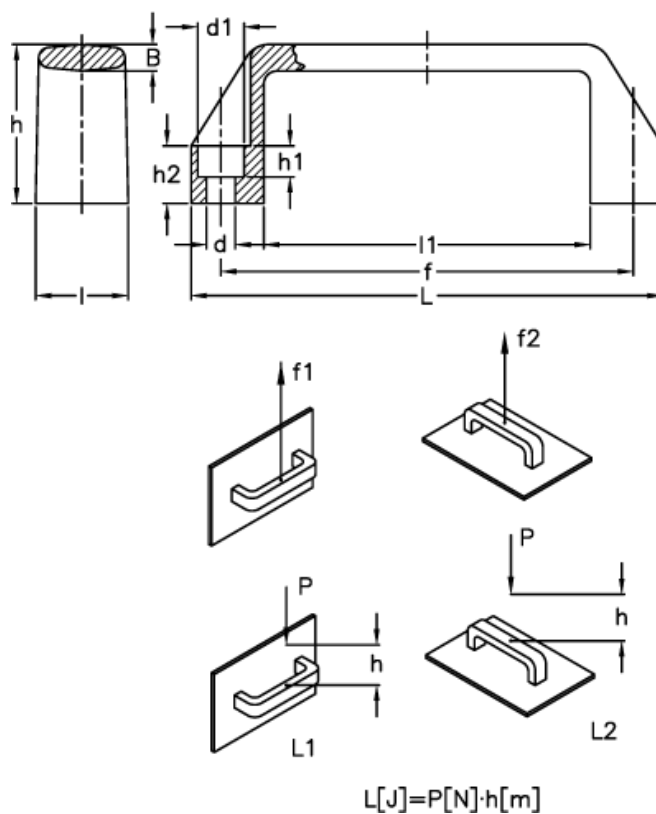


Data Sheet



Article number: 2304037111
Description: E+G Handle
M.443/140-6-CH, Black

Measures



B	= 7.0	$h2$	= 15
d	= 6.5	l	= 26
$d1$	= 10.5	L	= 134
f	= 117 +/- 1	$l1$	= 95
$F1$ (N)	= 4500	$L1$ (J)	= 20
$F2$ (N)	= 2500	$L2$ (J)	= 13
h	= 41		
$h1$	= 6.0		

$$L[J]=P[N] \cdot h[m]$$